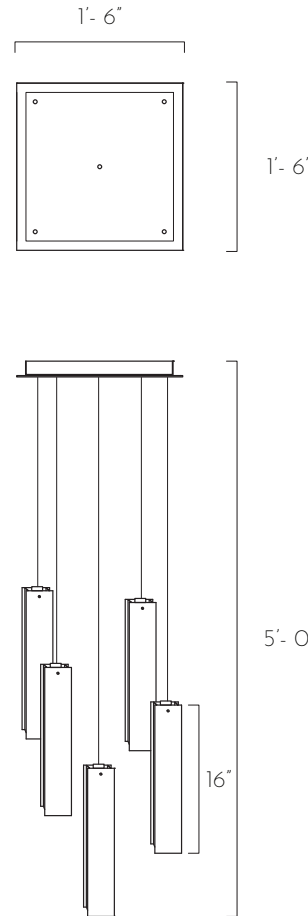


LONG DROPS

5 WHITE & BLACK PENDANTS SQUARE CHANDELIER



DESCRIPTION

A modern and sleek multi-pendant light fixture comprising of four hand-made glass leaves encasing a dimmable LED bulb. Ideal for your kitchen island, reception, dining, bar, study area or any space that requires bright LED Dimmable lighting.

TECHINCAL SPECIFICATIONS

Designed by

AM Studio Team

Category

Pendant Chandelier

Canopy Finish

Powder coated metal in Flat White/ Sparkle Silver

Canopy Size

18"L x 18"W x 1.5"H

Pendant Colour

3 units of White
2 units of Black

Pendant Size

3"W x 3"D x 16"H

Total Drop

5'H + 2' extra wire for adjustment

Bulb

MR16 LED - 12V

Recommended Dimming Switch

Lutron CTCL-153PD
Lutron Pro

Transformer:

Magnitude E60R12DC - 60W 12VDC - Dimmable - Class
2 LED Driver
Input: 120V
Output: 12V

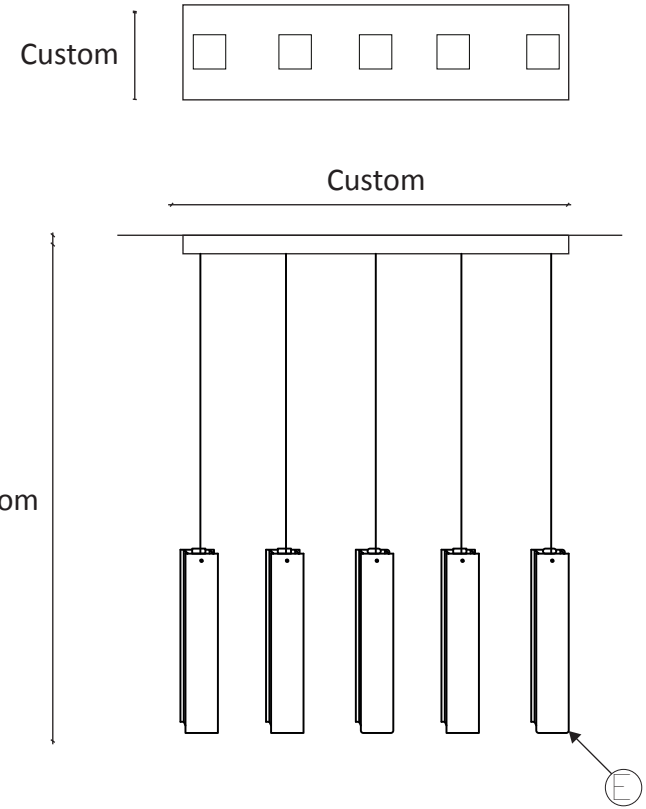
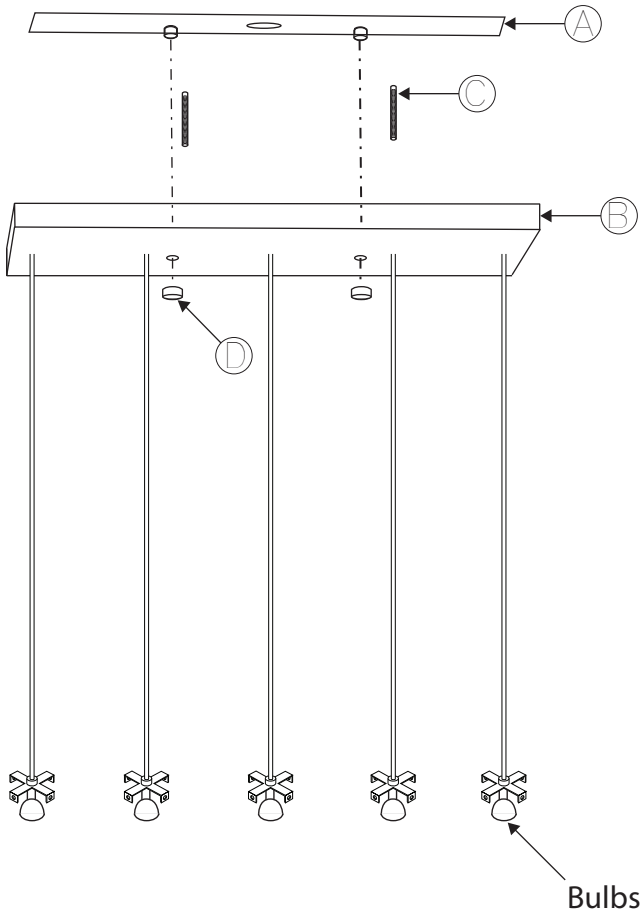
Electrical Outlet needed: 1

Approx. Weight

11 kg

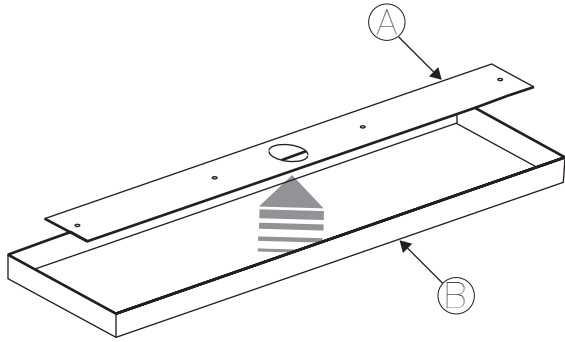
Catalogue # LD-5WB-18S

Note: Due to the nature of our handmade work, there may be slight variances in glass colour. AM Studio light fixtures are made to order, handmade and created in Toronto, Canada.



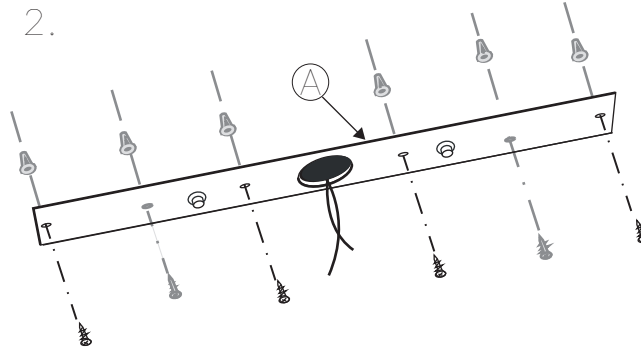
- Ⓐ x1 Bridge
- Ⓑ x1 Base
- Ⓒ x2 Support Rods (temporary mounting only)
- Ⓓ x2 Button Head Screws
- Ⓔ LONG DROPS - GLASS (See instructions page 3)

1.



Separate (A) from (B)

2.



Mount (A) to the ceiling.

Note: When mounting be sure to locate and mount (A) to a joist/ceiling beam

If you cannot do so, be sure to use drywall screws and anchors, drill additional holes for mounting for better support

5.

Test lights by turning on power

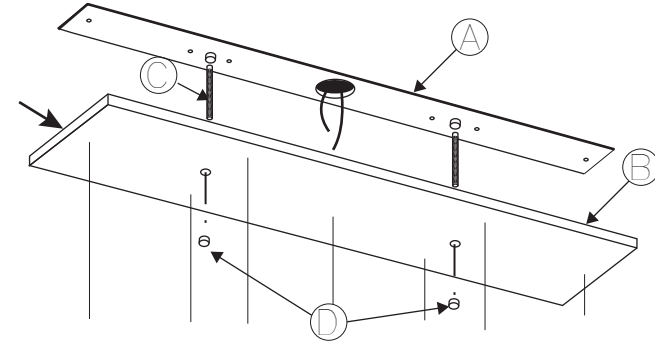


Make sure bulb is not touching the glass!

Turn off power after testing

LONG DROPS Assembly Guide

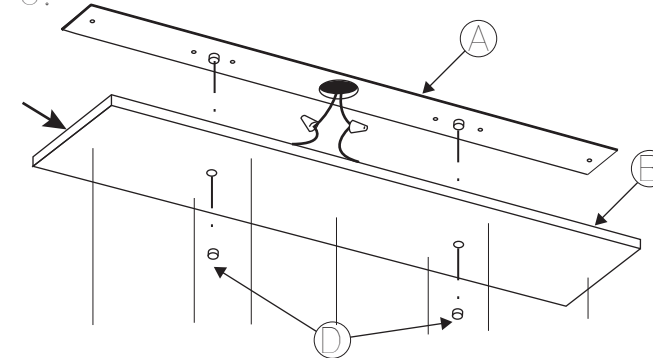
3.



Use support rods (C) provided to hang (B) off of (A)

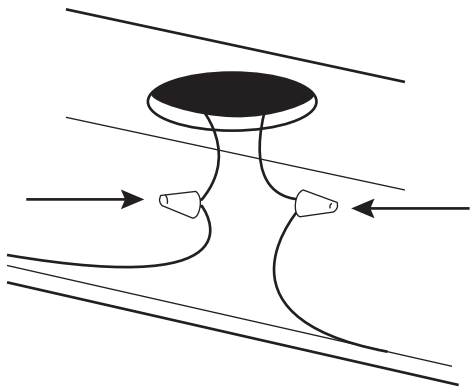
Complete attachment with button head screws (D)

6.

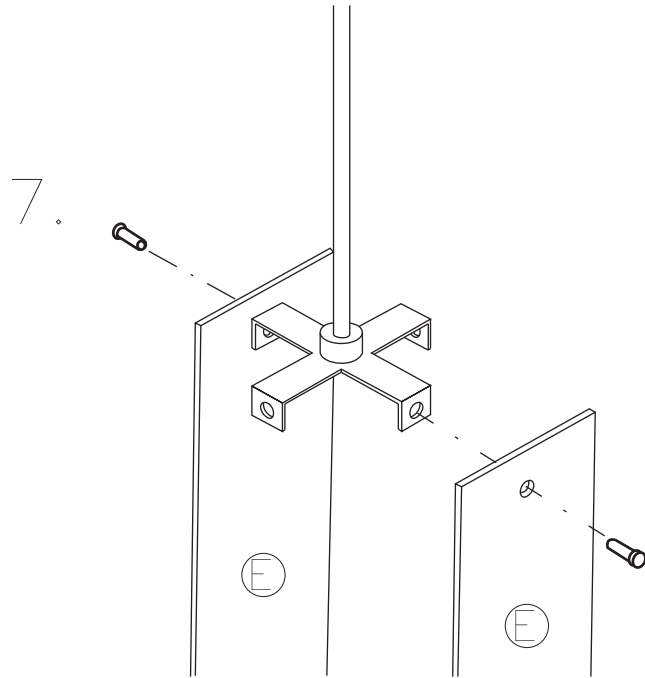


Remove rods (C) and attach (B) to (A) with the button head screws (D)

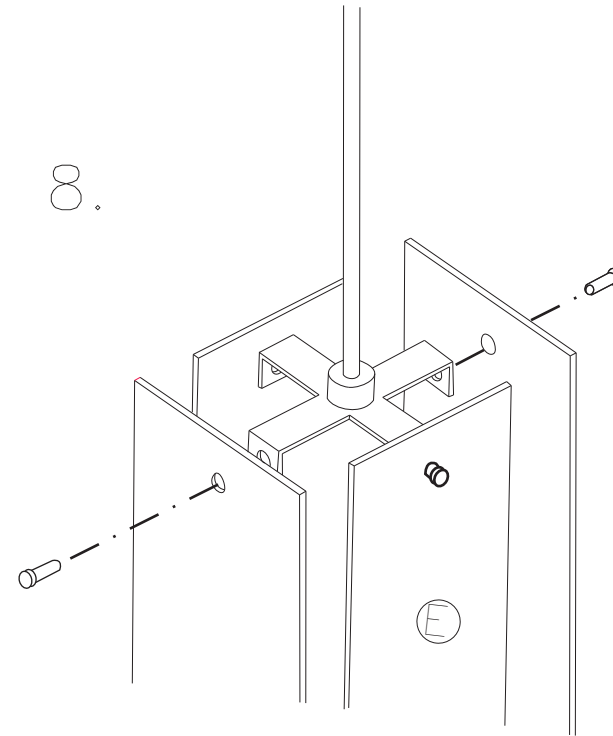
4.



Connect electrical wire to the power



Attach the 2 narrow (2" wide) glass pannels (E) first
Pannel should hang freely, do not over-tighten



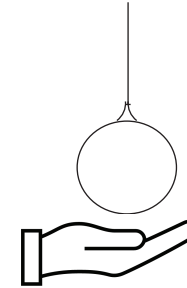
Attach the 2 wide (3" wide) glass pannels
Pannel should hang freely, do not over-tighten
 Make sure the glossy side is facing outwards

1.



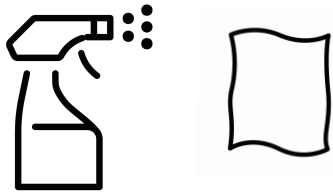
- Dust the cord/rope/chain with a duster.

2.



- Hold the glass pendant/light fixture and gently wipe with a duster or microfiber cloth to remove dust.

3.

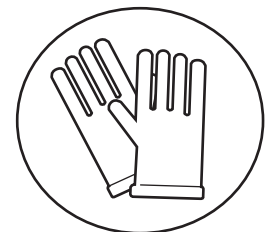


- For spot cleaning, use any good glass cleaner and a microfiber cloth.
⚠ Do **NOT** spray directly onto the light fixture/ glass pendant

4.



- Finish by gently wiping down the pendant with a soft, dry microfibre cloth.



Always use gloves when handling glass